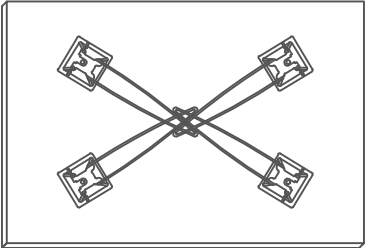
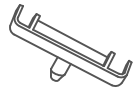


**Assembly Instructions**

2540T3



A		1
B		4

