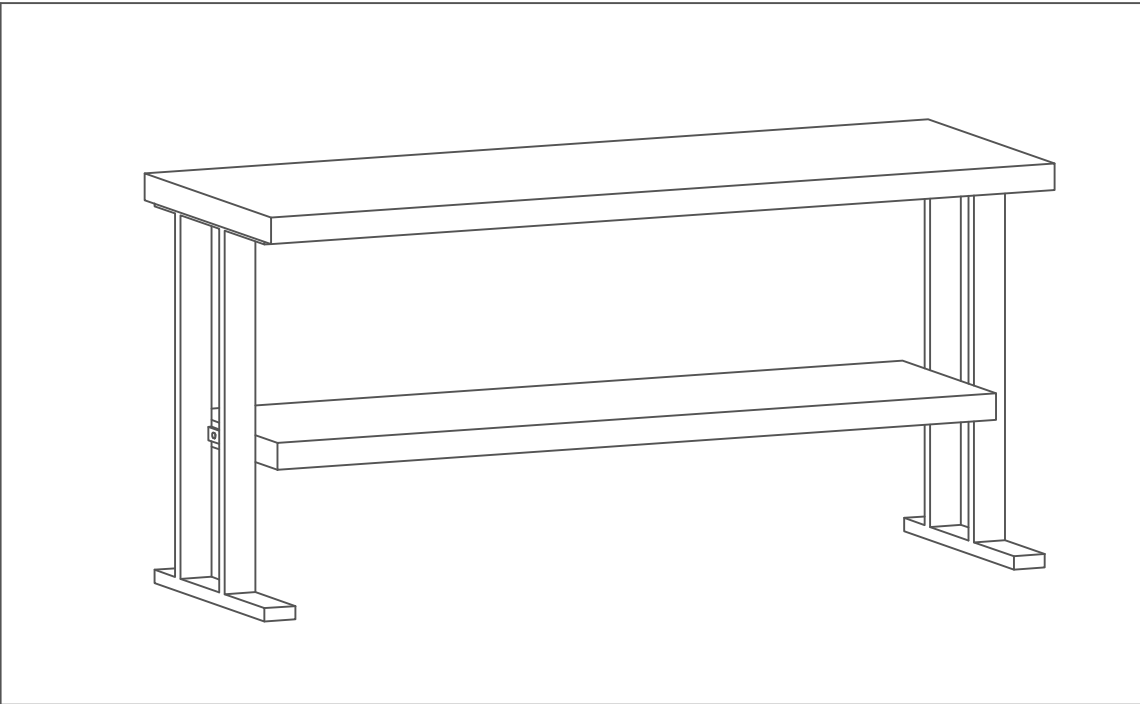
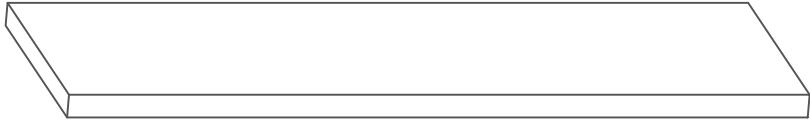

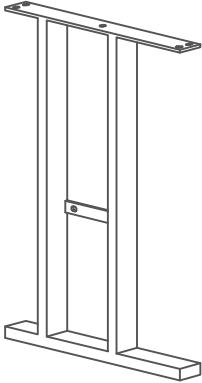
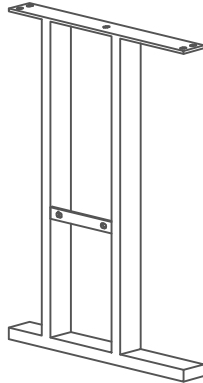


Assembly Instructions


2420MC




Parts List

lable	Picture	Qty
A		1
B		1
C-L	 (Left)	1
C-R	 (Right)	1

Hardware List

lable	Picture	Description	Size	Qty
H-1		Bolt	M6x15 mm	14

Tool List

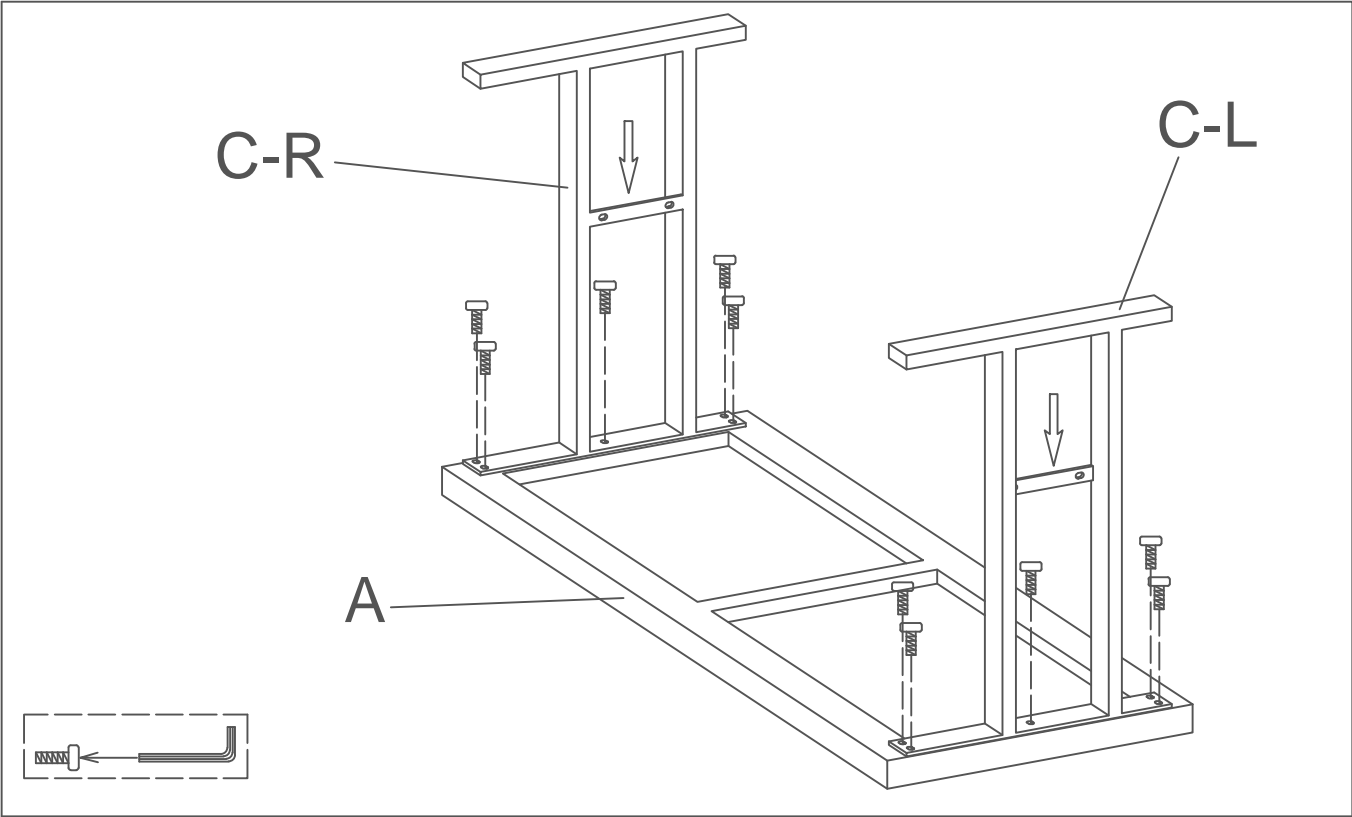
lable	Picture	Description	Size	Qty
T-1		Allen Key	φ4 mm	1

Assembly Steps

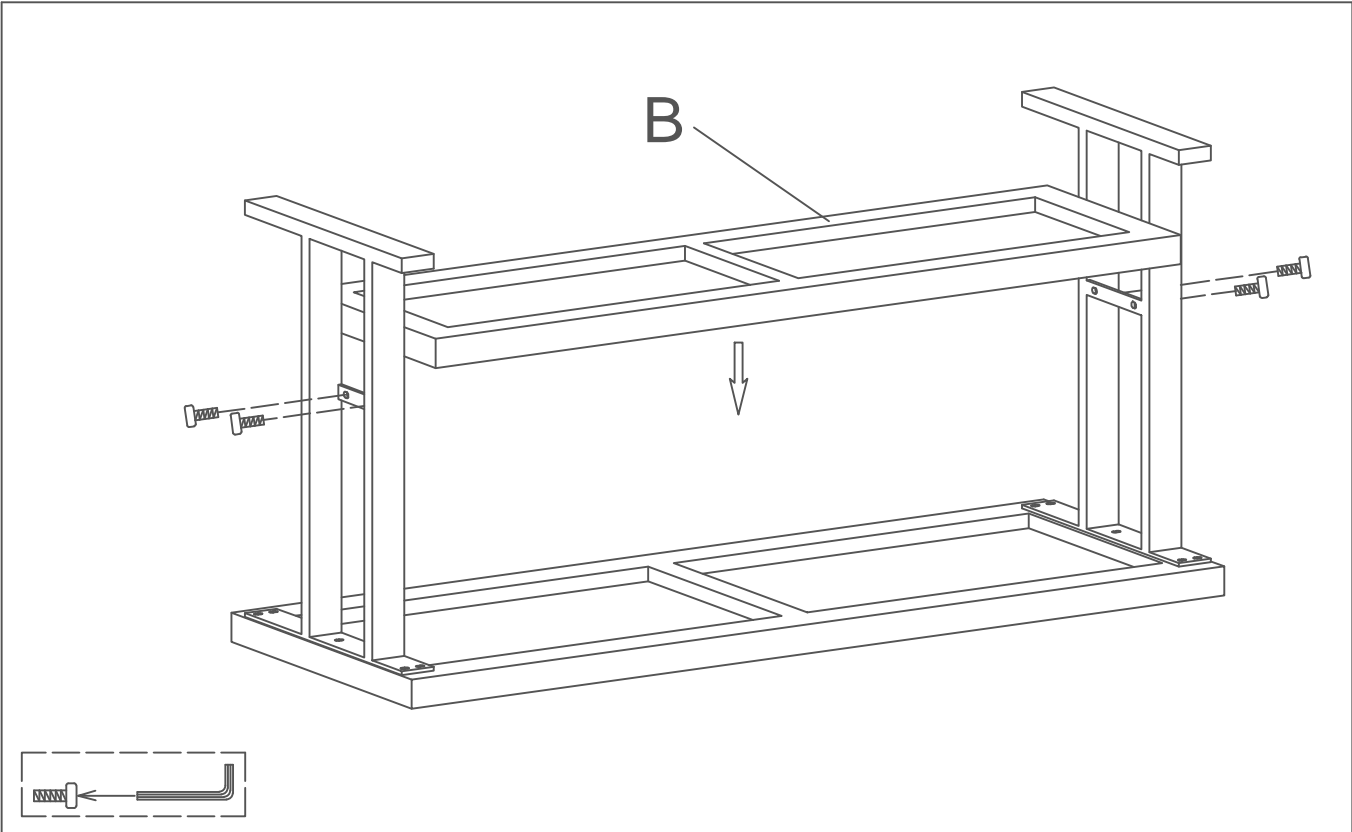
ATTENTION:

DO NOT COMPLETELY TIGHTEN ANY SCREWS UNTIL ALL PARTS ARE IN PLACE

Step 1



Step 2



Step 3

