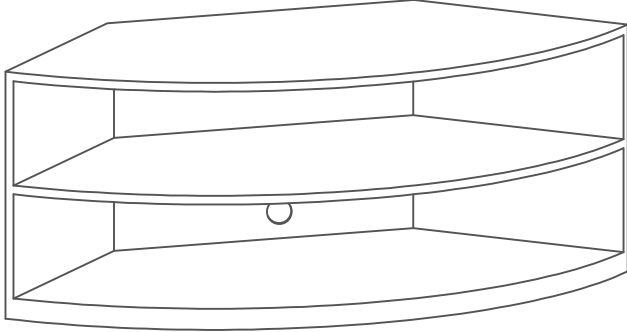
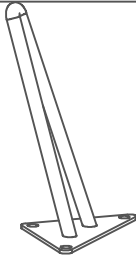

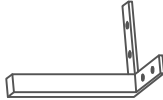


**Assembly Instructions**



7760MC




# Parts List

label	Picture	Qty
A		1
B <sub>1</sub>		2
B <sub>2</sub>		1
C		2

# Hardware List

label	Picture	Description	Size	Qty
H-1		Bolt	M6x15 mm	9
H-2		Bolt	M6x30 mm	8

# Tool List

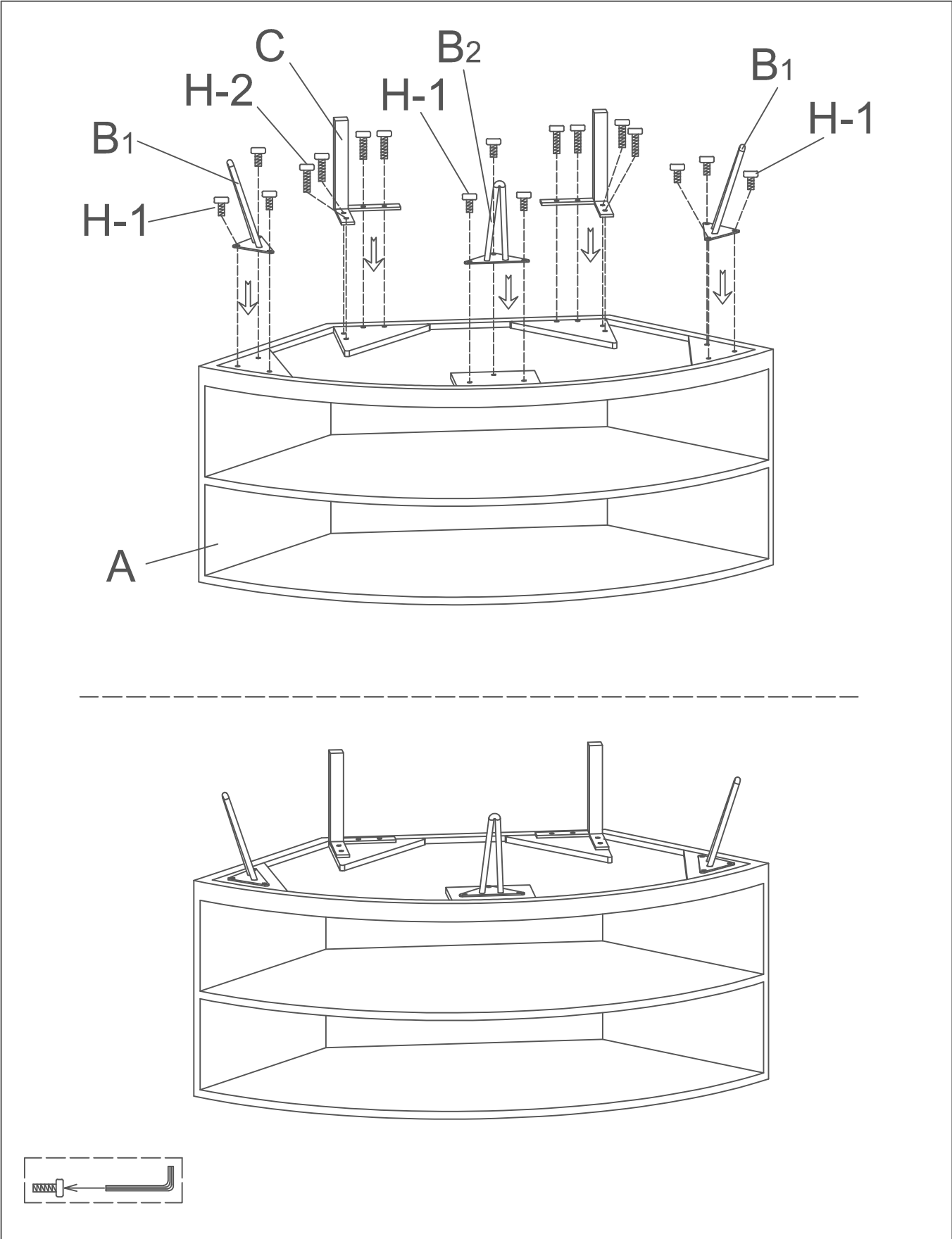
label	Picture	Description	Size	Qty
T-1		Allen Key	φ4 mm	1

# Assembly Steps

ATTENTION:

DO NOT COMPLETELY TIGHTEN ANY SCREWS UNTIL ALL PARTS ARE IN PLACE

## Step 1



Step 2

