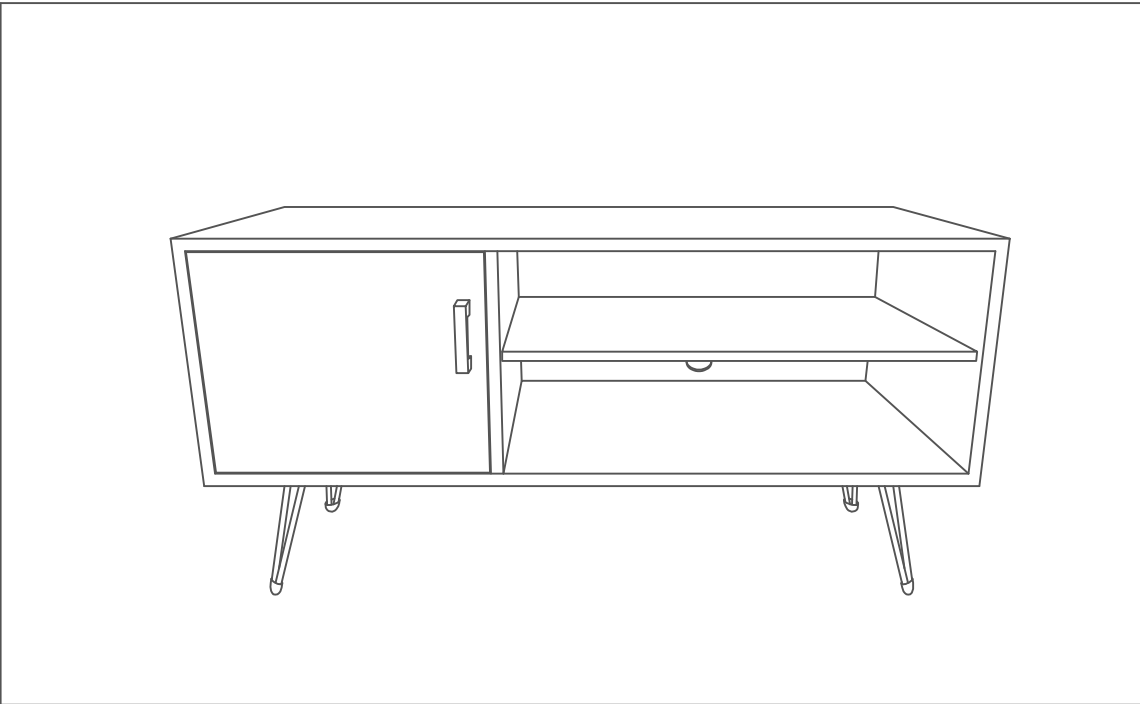
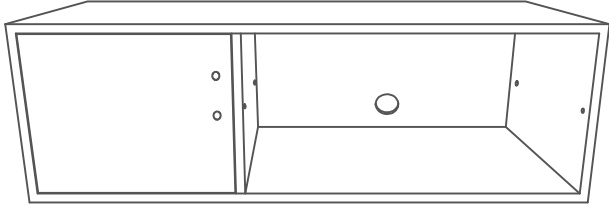

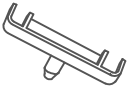



Assembly Instructions




9230MC



Parts List

Label	Picture	Description	Qty
A			1
B			1
C			4
D			1

Hardware List

Label	Picture	Description	Size	Qty
H-1		Middle axle	$\phi 6 \times 14$ mm	4
H-2		Bolt	M6x35 mm	2
H-3		Gasket	M6	2

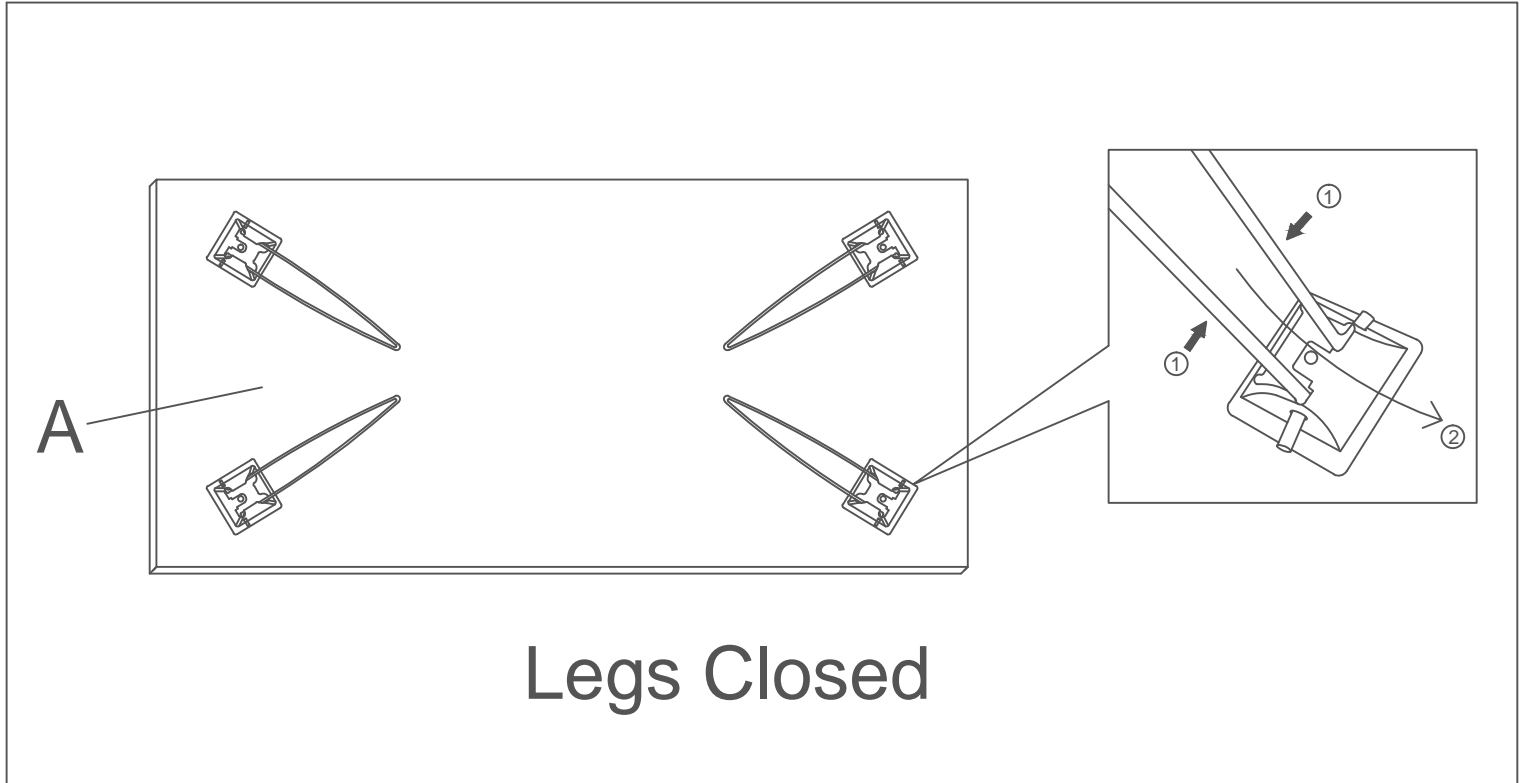
Tool List

Label	Picture	Description	Qty
T-1		Allen Key	1

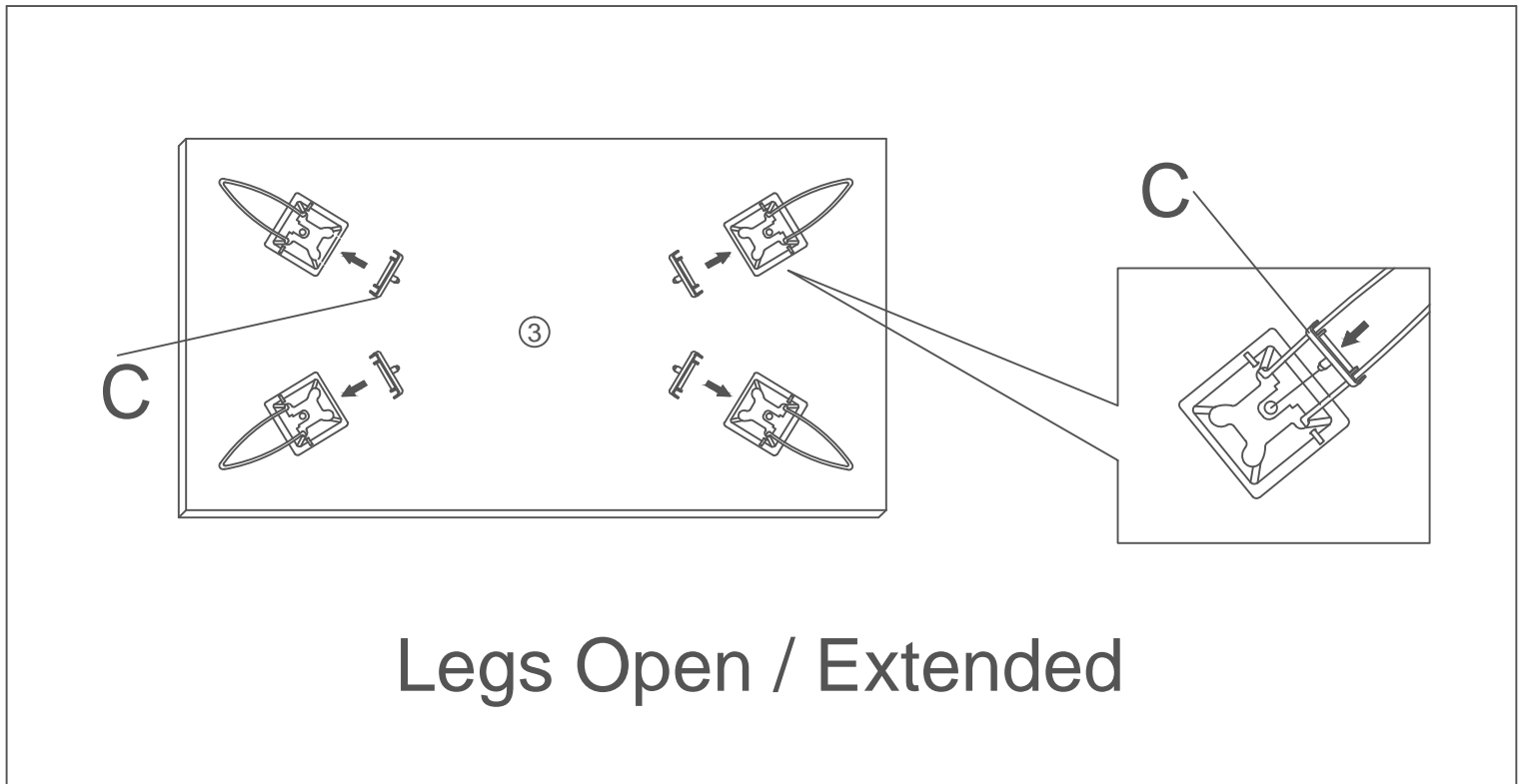
Assembly Steps

ATTENTION:
DO NOT COMPLETELY TIGHTEN ANY SCREWS UNTIL ALL PARTS ARE IN PLACE

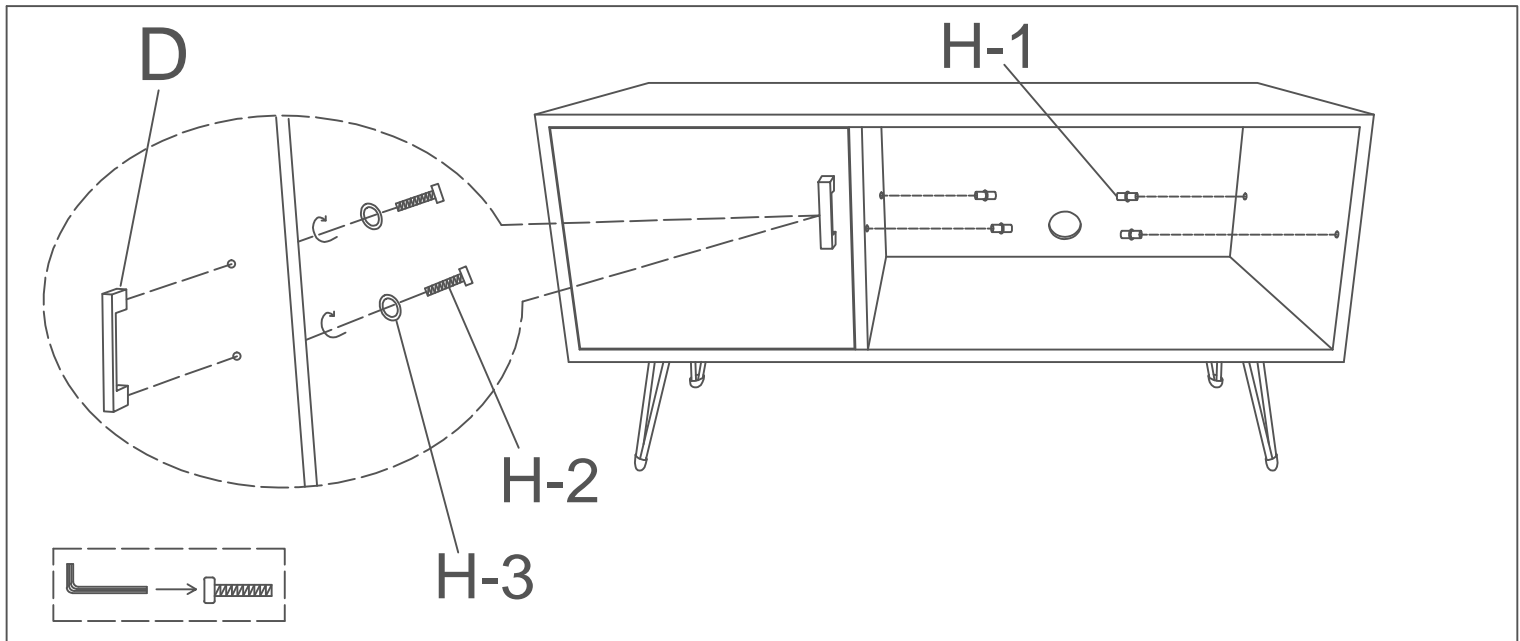
STEP 1



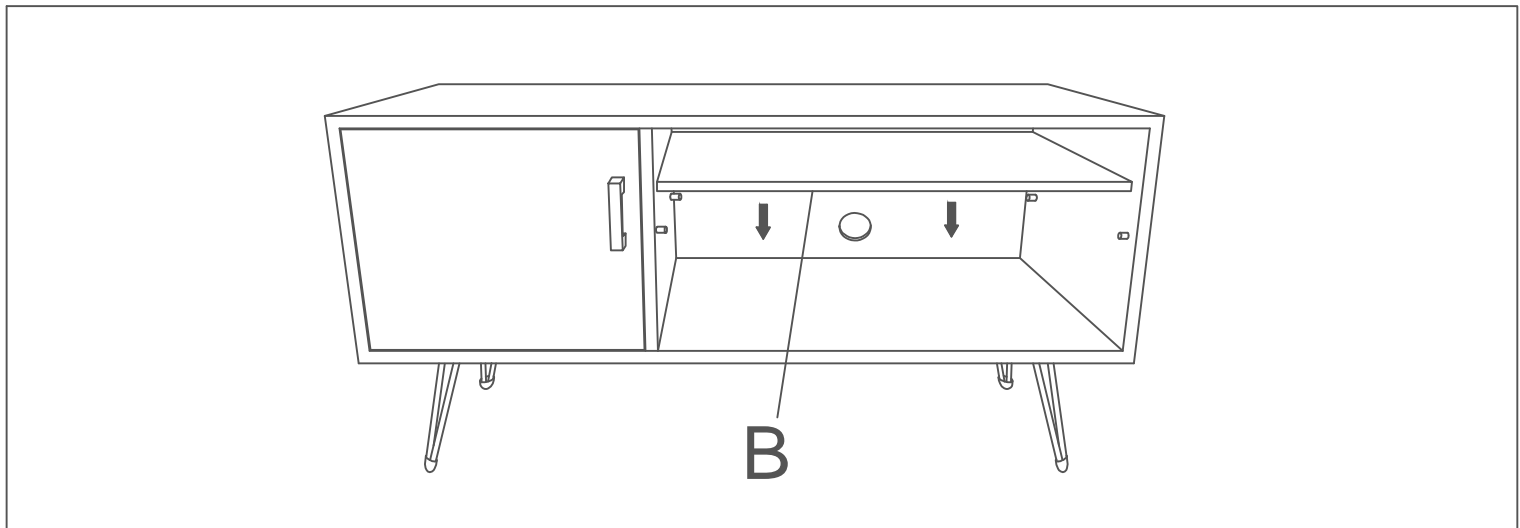
STEP 2



STEP 3



STEP 4



STEP 5

