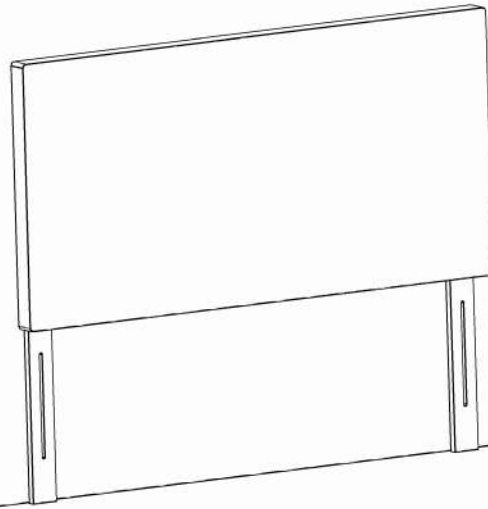


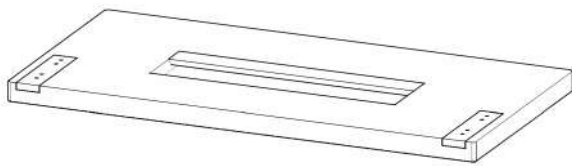
ASSEMBLY INSTRUCTION

QUEEN HEADBOARD BANANA

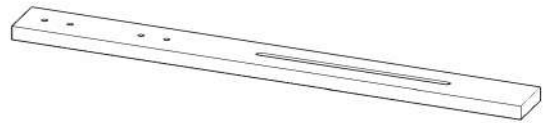
27000QHB



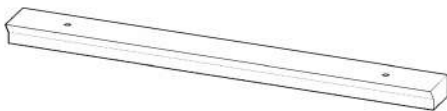
PARTS LIST



(A) HB HEAD (1 pc)

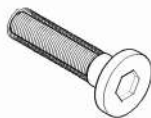


(B) Leg (2 pcs)



(C) Wall Bracket (1 pc)

HARDWARE LIST



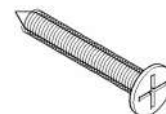
(1) JCBC Bolt (8 pcs)



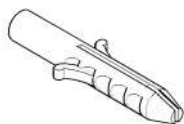
(2) Allen Key (1 pc)



(3) Flat Washer (8 pcs)



(4) Phillip Screw (2 pc)



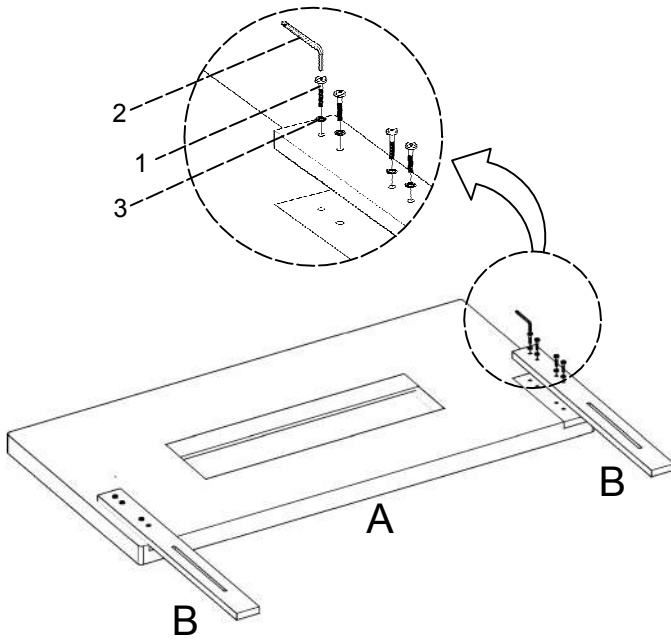
(5) Fisher S6 (2 pcs)

ASSEMBLY INSTRUCTION

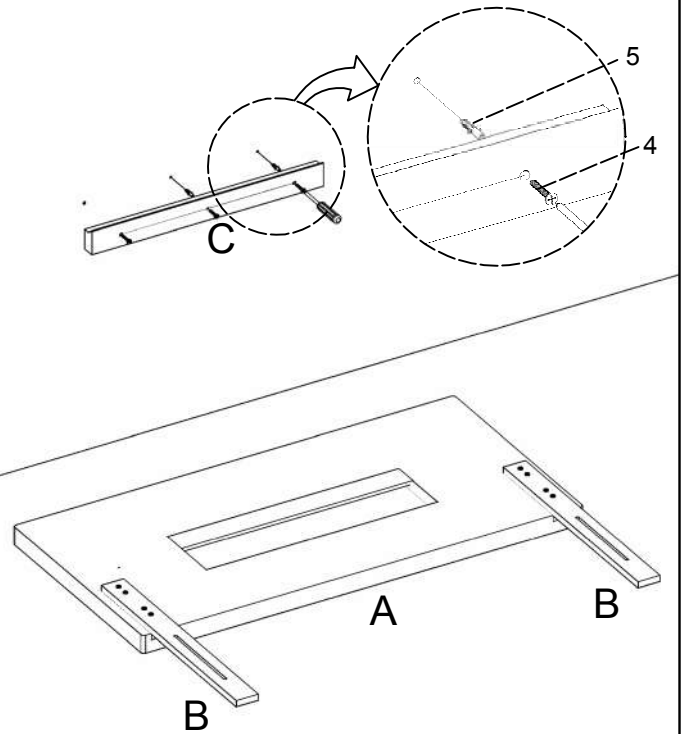
QUEEN HEADBOARD BANANA

27000QHB

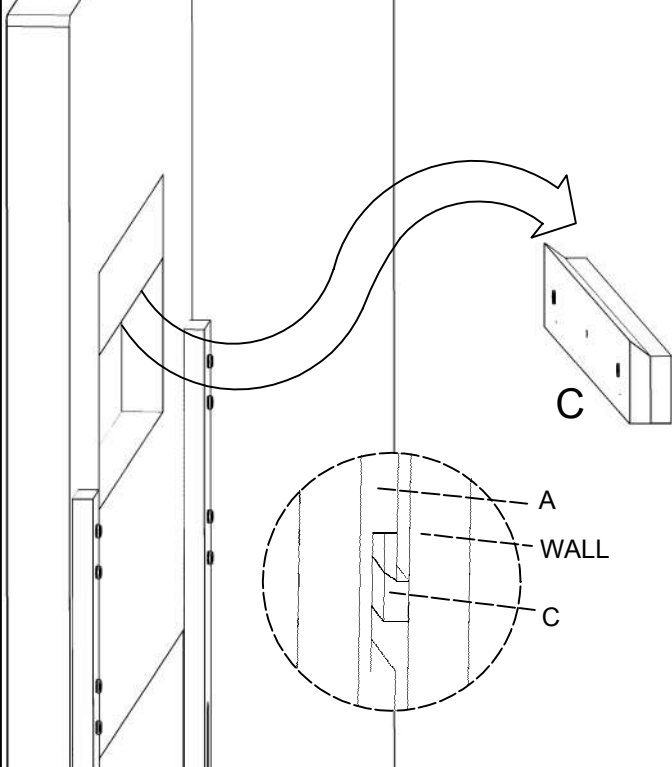
Step 1



Step 2



Step 3



Step 4

