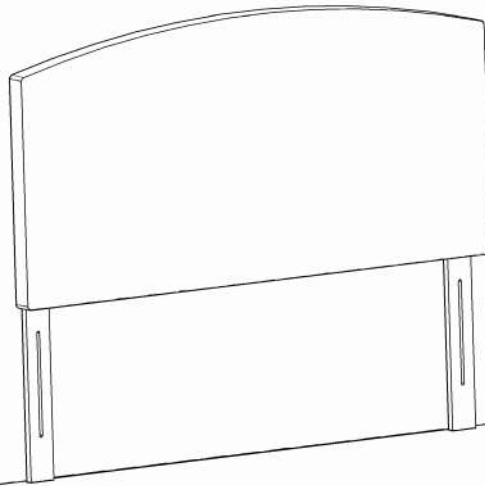


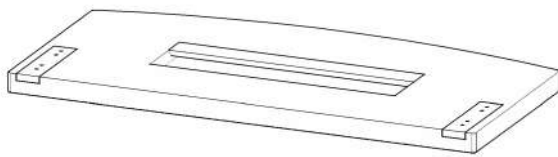
# ASSEMBLY INSTRUCTION

## KING HEADBOARD BANANA

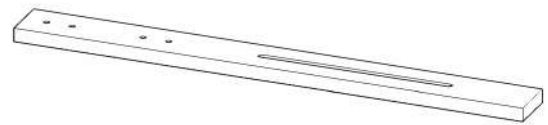
27001KHB



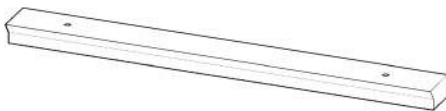
### PARTS LIST



(A) HB HEAD (1 pc)



(B) Leg (2 pcs)



(C) Wall Bracket (1 pc)

### HARDWARE LIST



(1) JCBC Bolt (8 pcs)



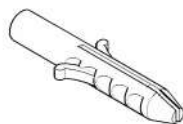
(2) Allen Key (1 pc)



(3) Flat Washer (8 pcs)



(4) Phillip Screw (2 pc)



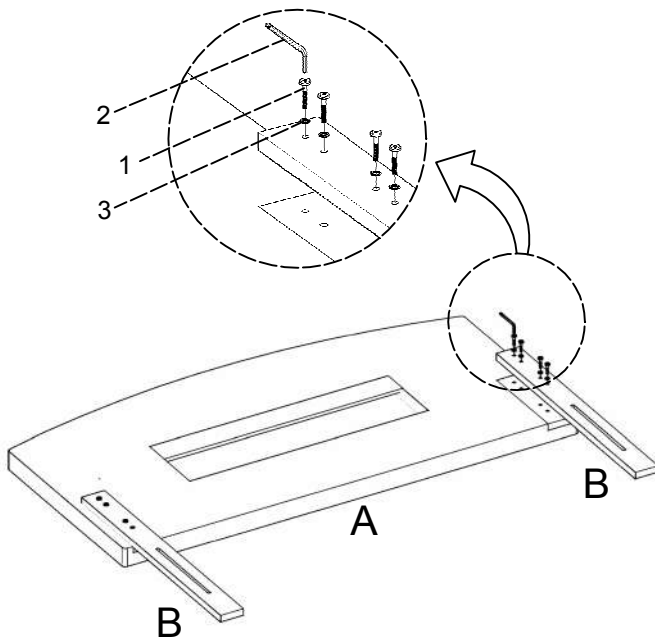
(5) Fisher S6 (2 pcs)

# ASSEMBLY INSTRUCTION

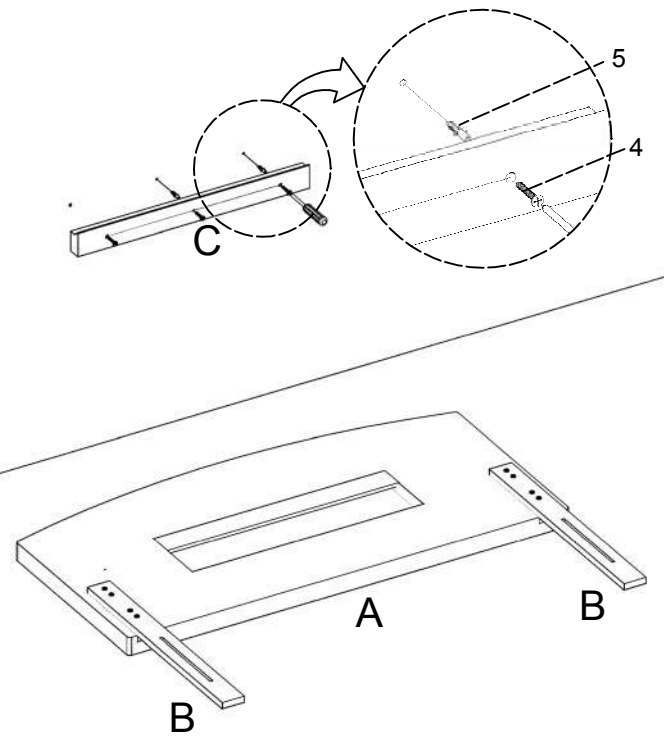
## KING HEADBOARD BANANA

27001KHB

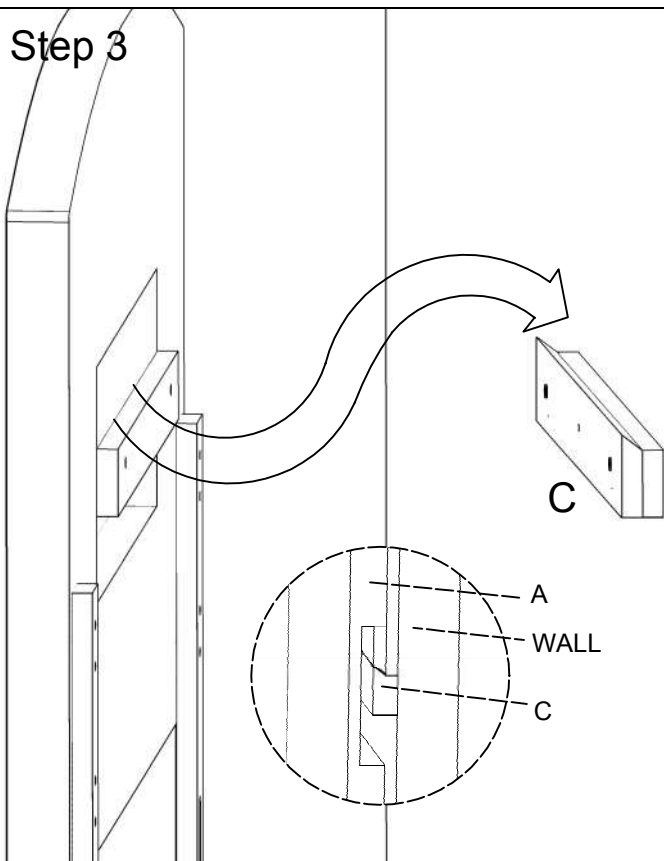
Step 1



Step 2



Step 3



Step 4

