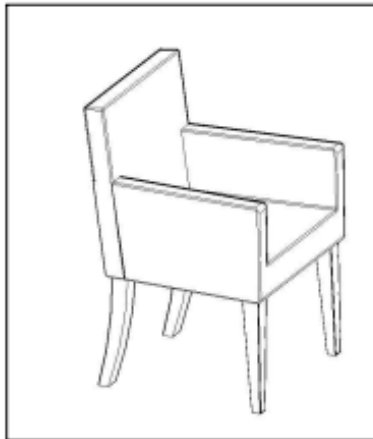


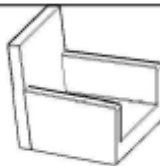
# ASSEMBLY INSTRUCTION

## WOVEN RATTAN CHAIR

16903 CH



### PARTS LIST



(A) SEAT BACK REST (1 pc)



(B) BACK LEGS (2 pcs)



(C) FRONT LEGS (2 pc)



(D) UNDERNEATH COVER (1 pcs)

### HARDWARE LIST



(1) Allen Key (1 pc)



(2) JCBC Bolt (8 pcs)



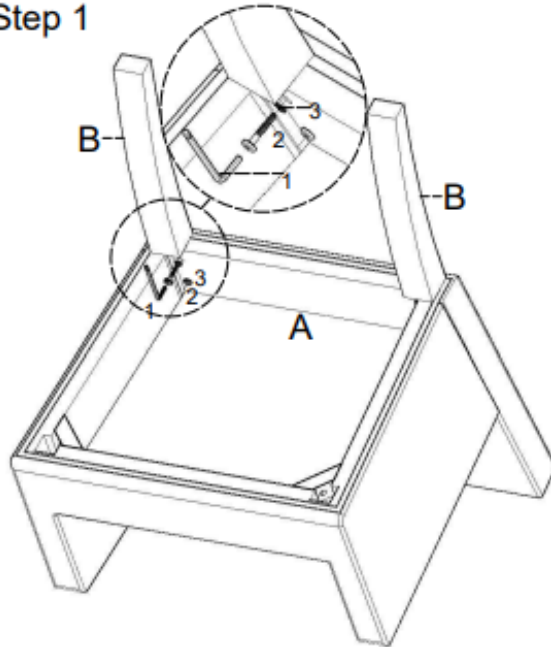
(3) Flat Washer (8 pcs)

# ASSEMBLY INSTRUCTION

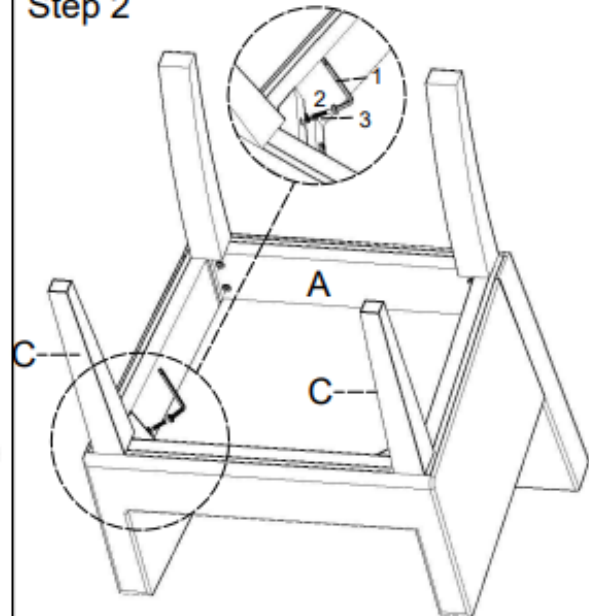
## WOVEN RATTAN CHAIR

16903 CH

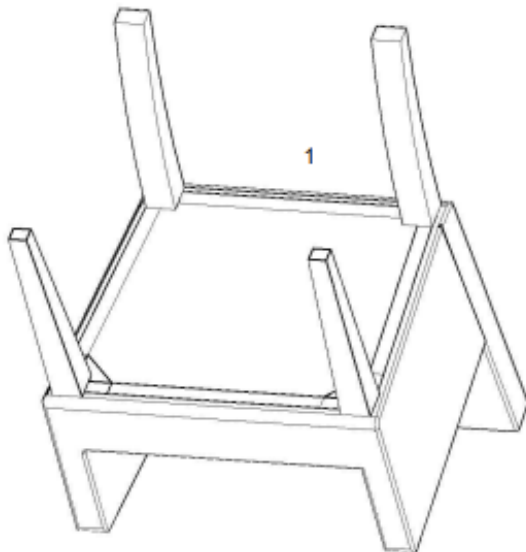
Step 1



Step 2



Step 3



Step 4

