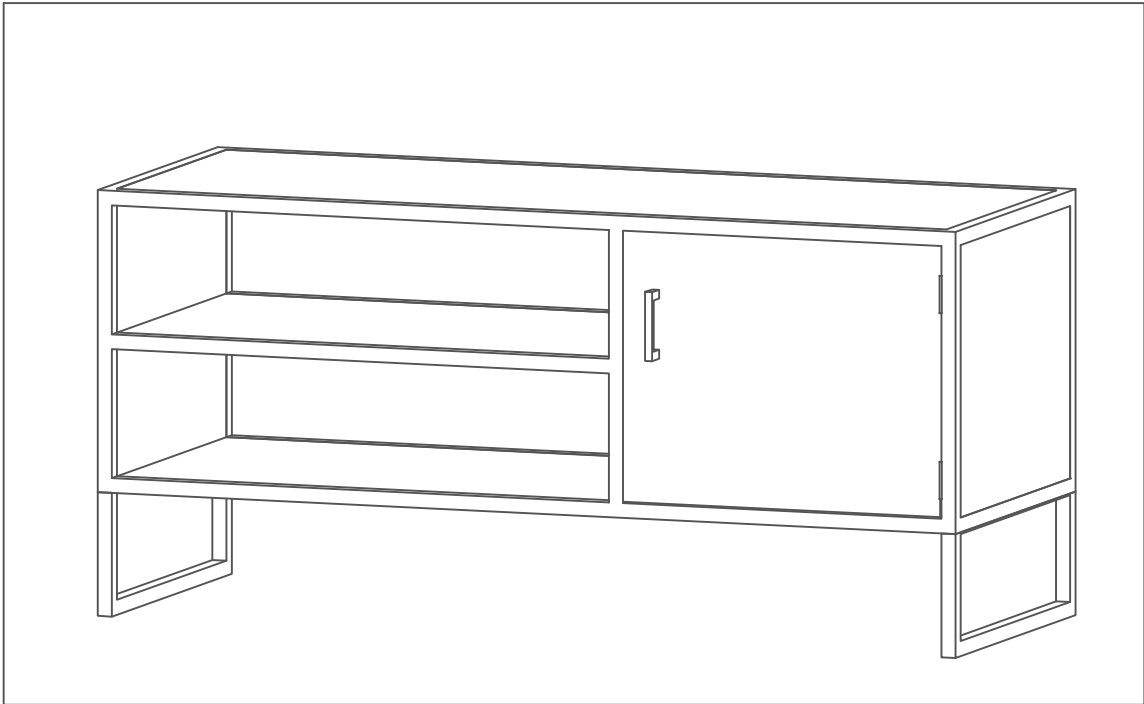
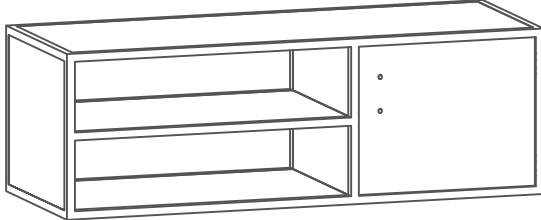
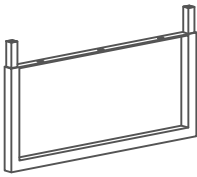



Assembly Instructions




1580MC




# Parts List

lable	Picture	Qty
A		1
B		2
C		1

# Hardware List

lable	Picture	Description	Size	Qty
H-1		Bolt	M6x15 mm	6
H-2		Bolt	M6x35 mm	2
H-3		Gasket	M6	2

# Tool List

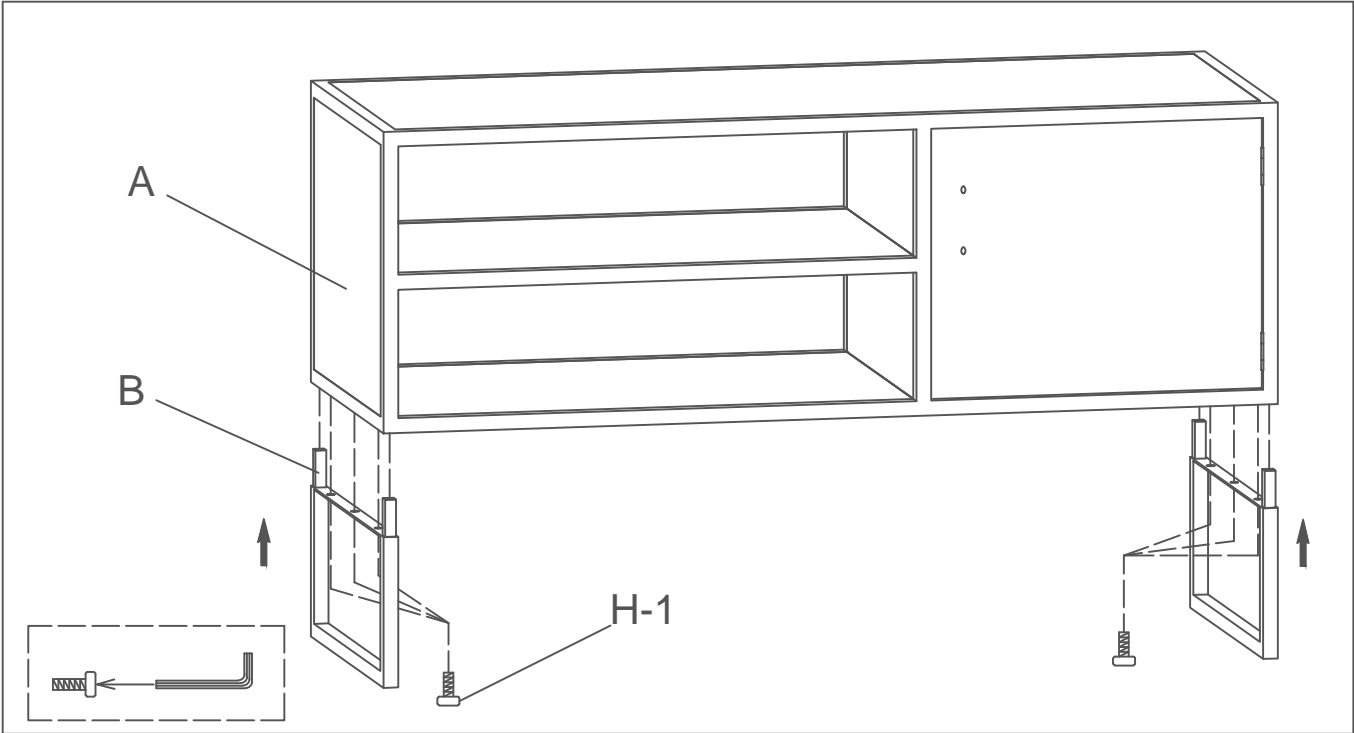
lable	Picture	Description	Size	Qty
T-1		Allen Key	φ4 mm	1

# Assembly Steps

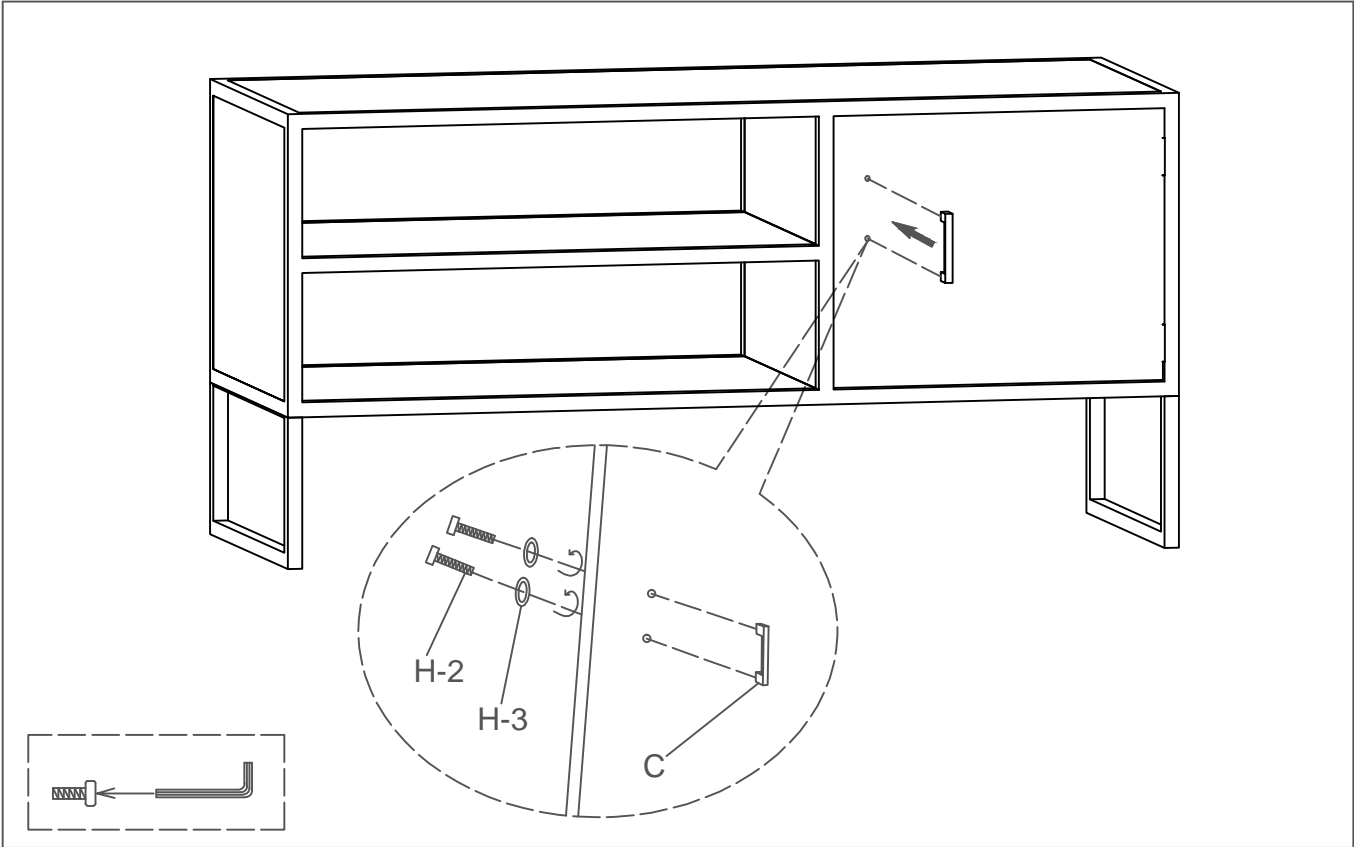
ATTENTION:

DO NOT COMPLETELY TIGHTEN ANY SCREWS UNTIL ALL PARTS ARE IN PLACE

## Step 1



## Step 2



Step 3

