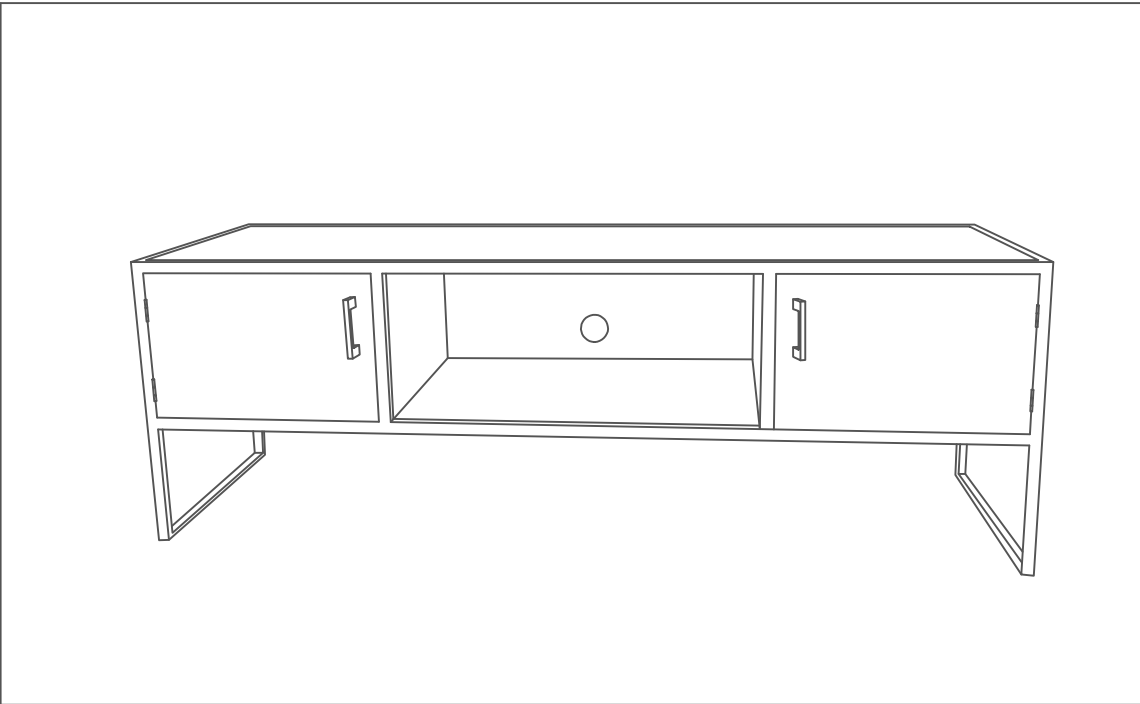
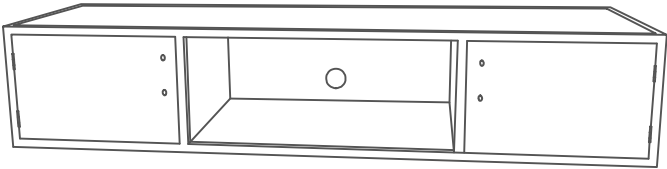
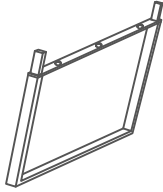



Assembly Instructions




1590MC




Parts List

lable	Picture	Qty
A		1
B		2
C		2

Hardware List

lable	Picture	Description	Size	Qty
H-1		Bolt	M6x15 mm	6
H-2		Bolt	M6x30 mm	4
H-3		Gasket	M6	4

Tool List

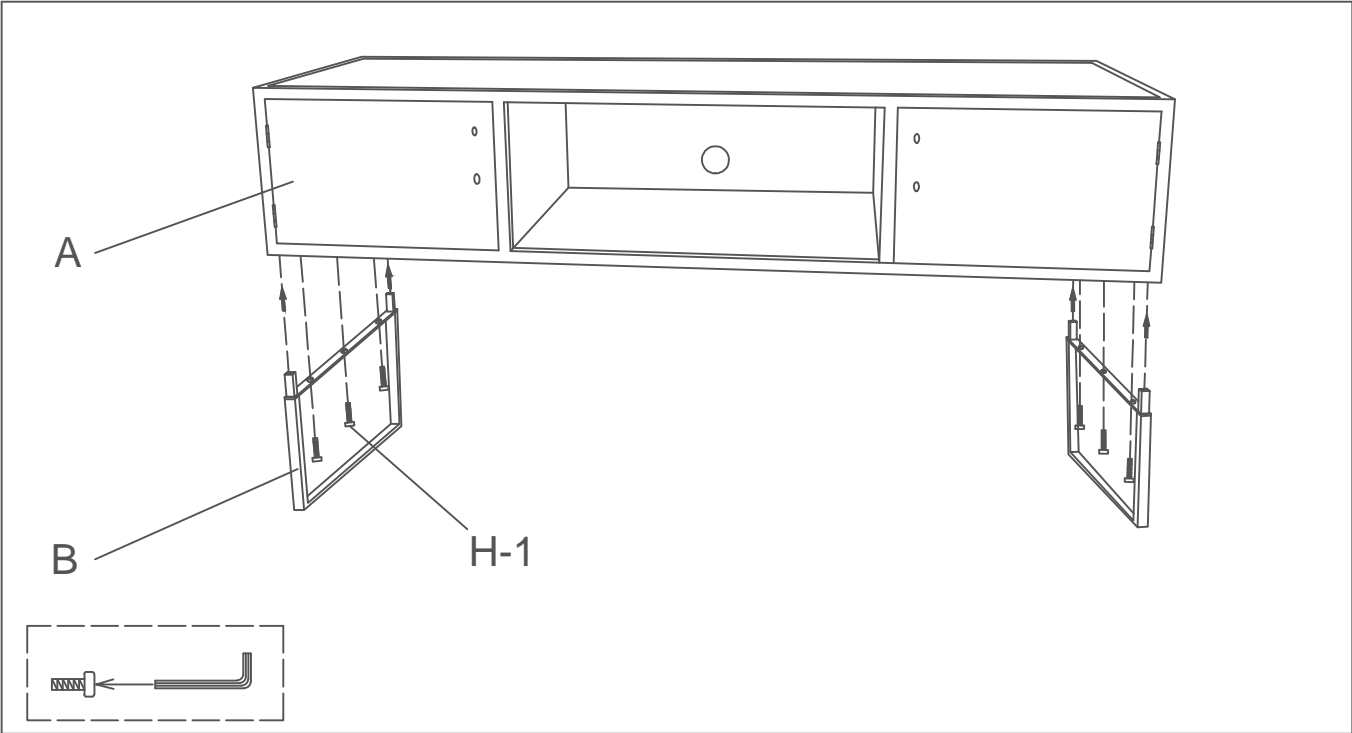
lable	Picture	Description	Size	Qty
T-1		Allen Key	ø4 mm	1

Assembly Steps

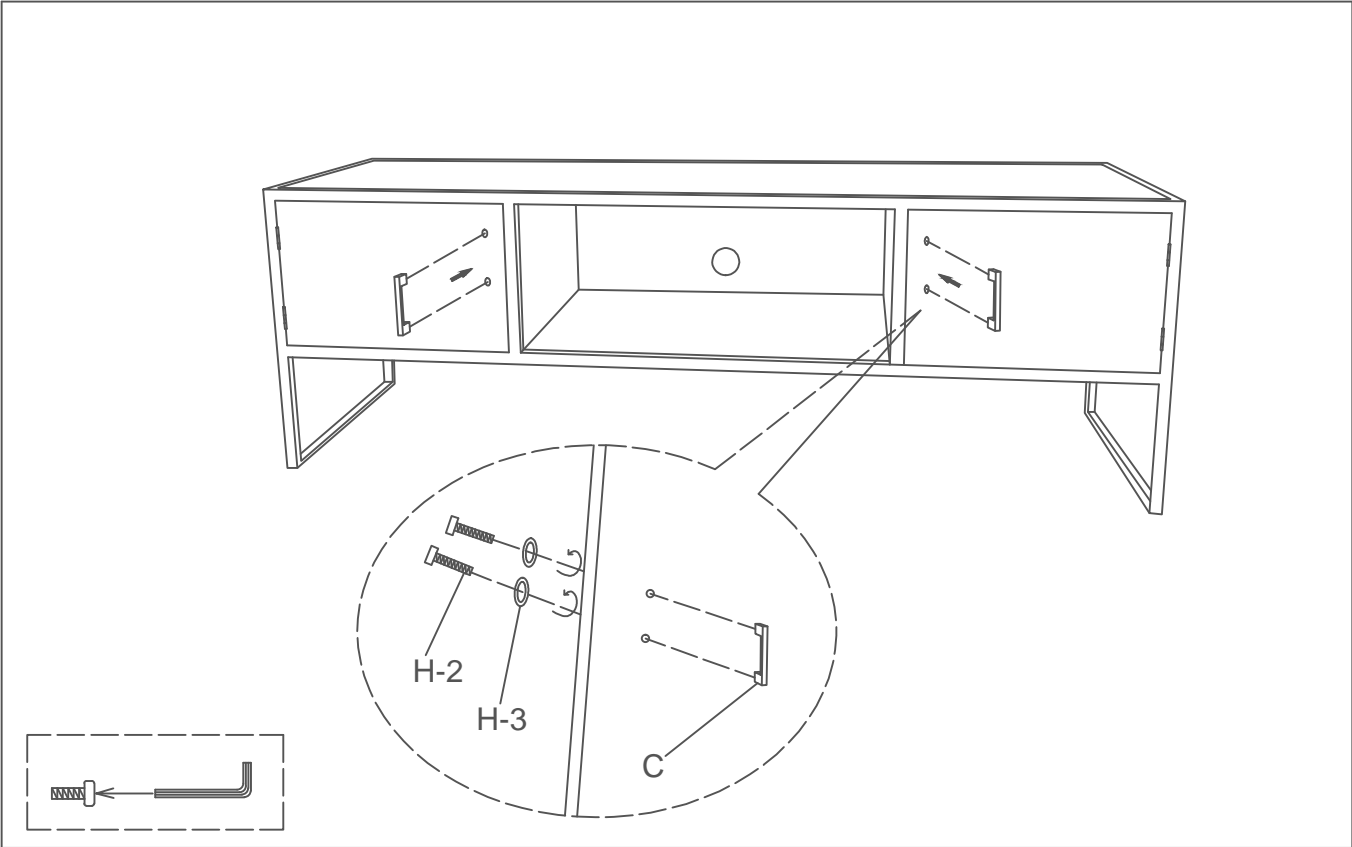
ATTENTION:

DO NOT COMPLETELY TIGHTEN ANY SCREWS UNTIL ALL PARTS ARE IN PLACE

Step 1



Step 2



Step 3

