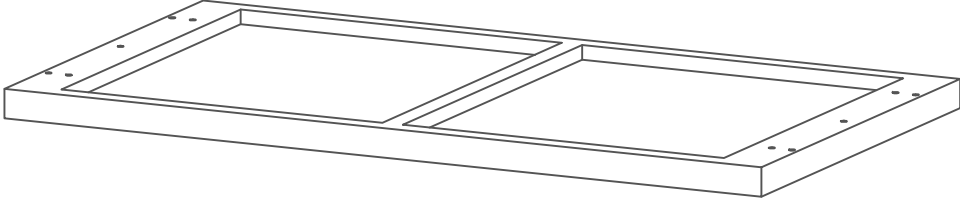
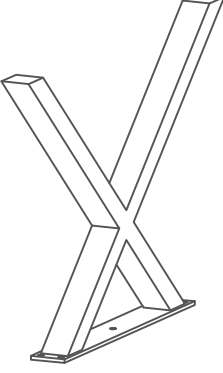


Assembly Instructions


6370TC




Parts List

label	Picture	Qty
A		1
B		2

Hardware List

label	Picture	Description	Size	Qty
H-1		Bolt	M6x10 mm	10

Tool List

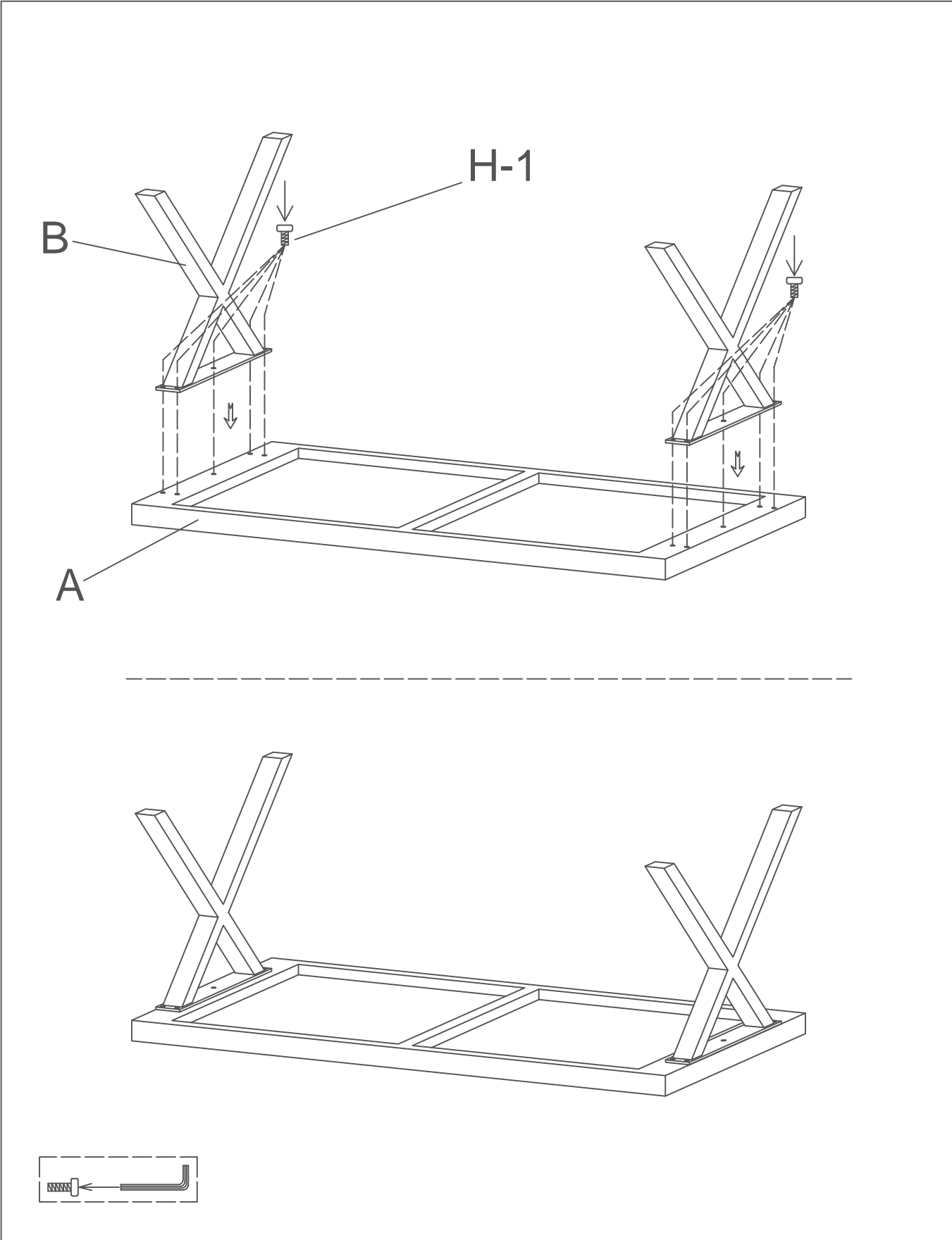
label	Picture	Description	Size	Qty
T-1		Allen Key	φ4 mm	1

Assembly Steps

ATTENTION:

DO NOT COMPLETELY TIGHTEN ANY SCREWS UNTIL ALL PARTS ARE IN PLACE

Step 1



Step 2

