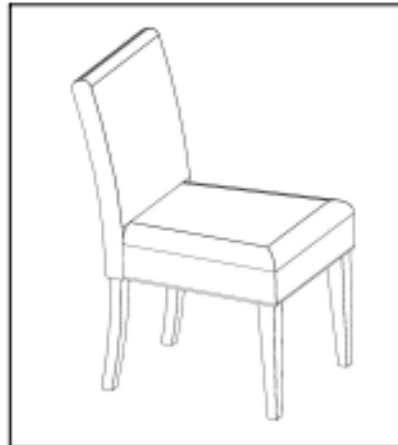


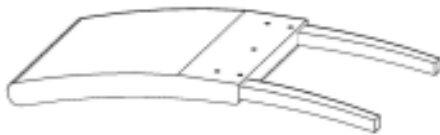
# ASSEMBLY INSTRUCTION

## WOVEN BANANA LEAF CHAIR

16900 CH



### PARTS LIST



(A) BACK REST (1 pc)



(B) SEAT REST (1 pcs)



(C) LEGS (2 pc)



### HARDWARES LIST



(1) Screw Fab (4 pcs)



(2) JCBC Bolt (8 pcs)



(3) Allen Key (1 pc)



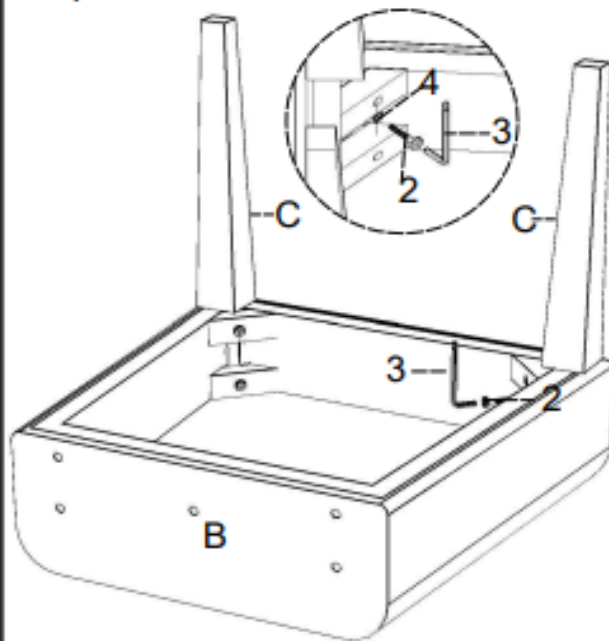
(4) Flat Washer (8 pcs)

# ASSEMBLY INSTRUCTION

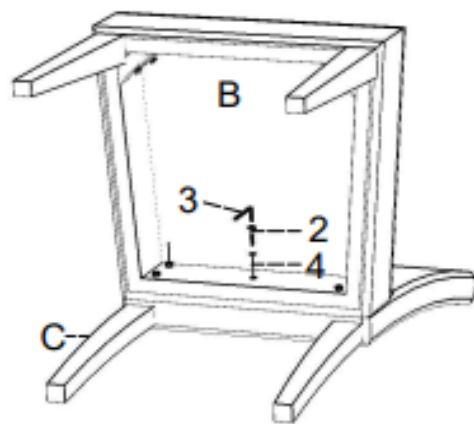
## WOVEN BANANA LEAF CHAIR

16900 CH

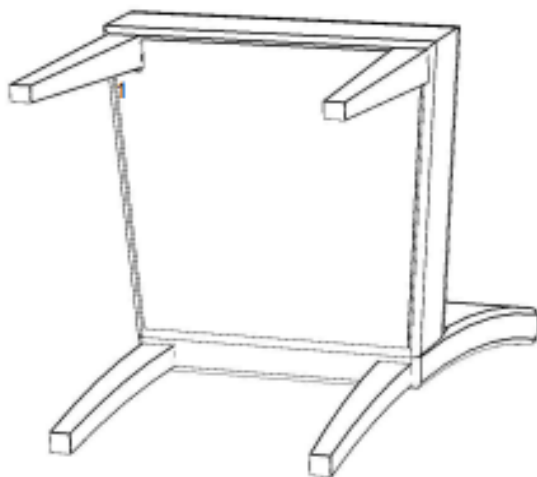
Step 1



Step 2



Step 3



Step 4

