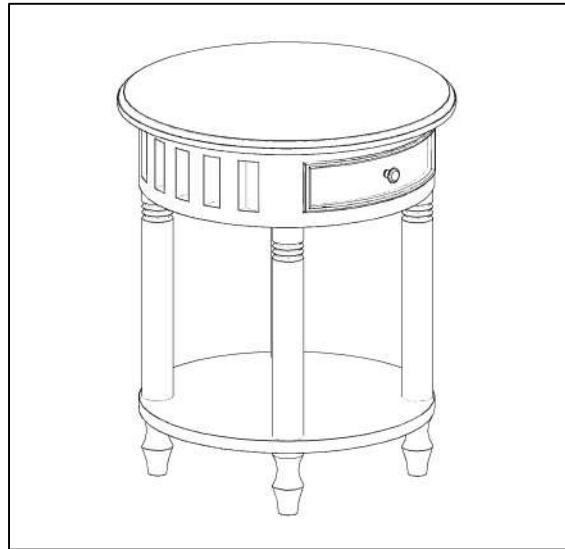


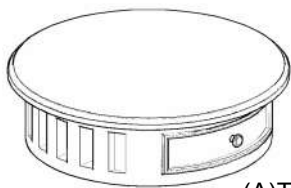
# ASSEMBLY INSTRUCTION

## ROUND SIDE TABLE

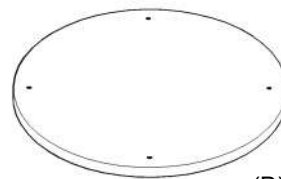
107033ET



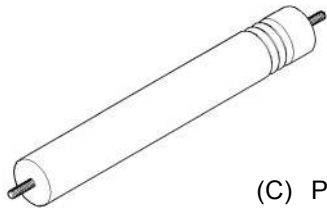
### PARTS LIST



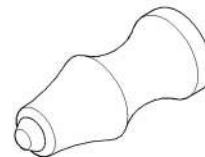
(A) TABLE TOP (1 pc)



(B) SHELF (1 pcs)



(C) POST (4 pcs)



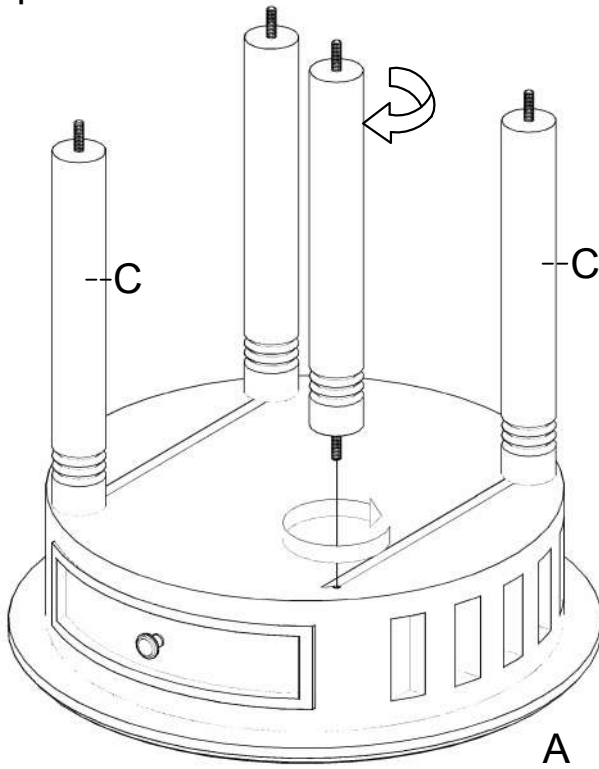
(D) LEG POST (4 pc)

# ASSEMBLY INSTRUCTION

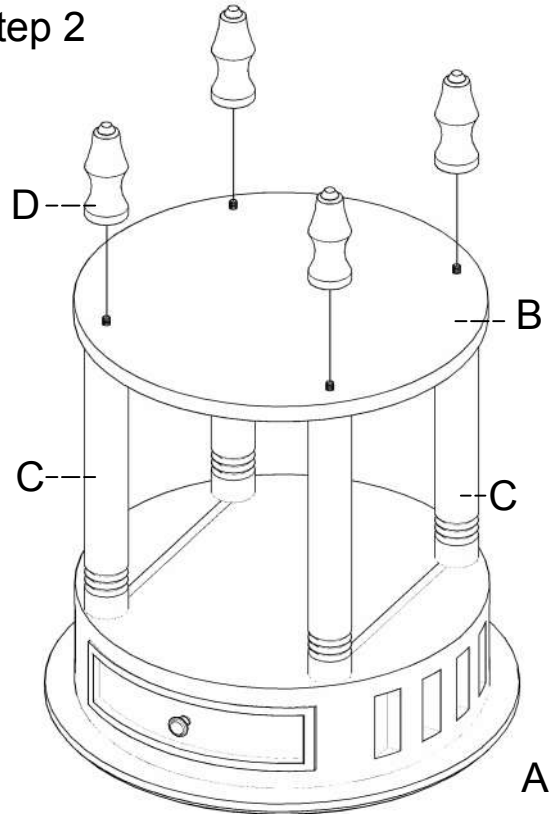
## ROUND SIDE TABLE

107033ET

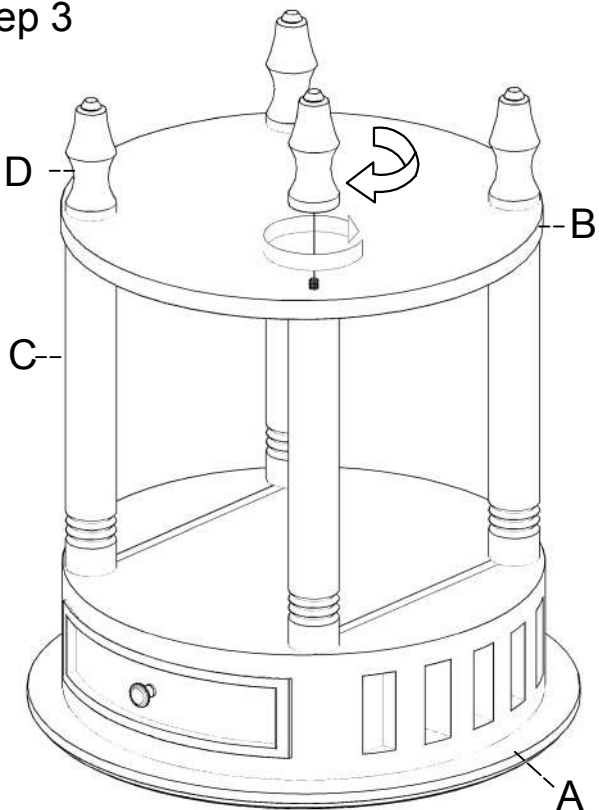
Step 1



Step 2



Step 3



Step 4

