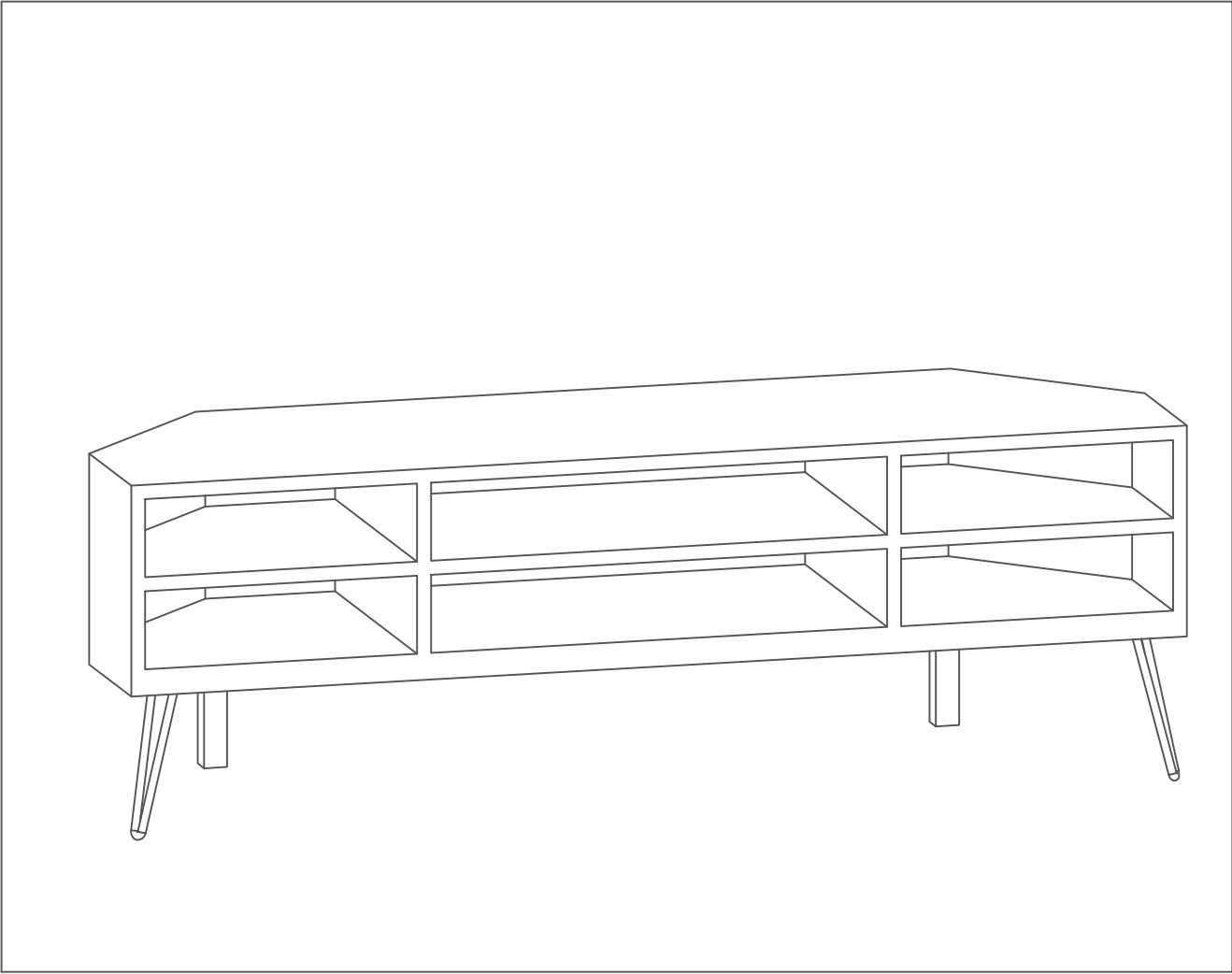
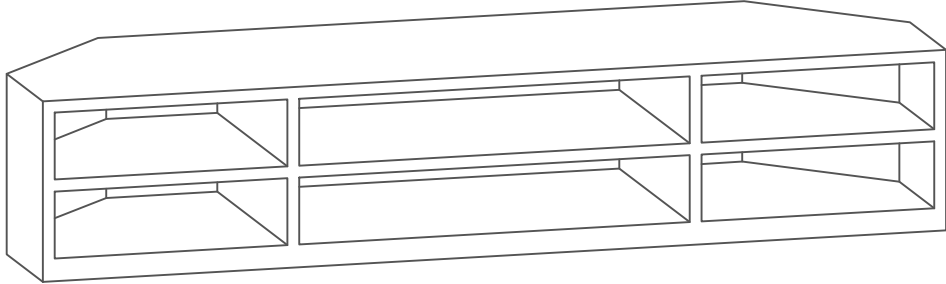
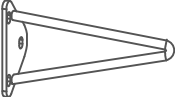
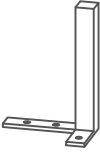
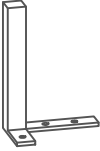


**Assembly Instructions**



7780MC




# Parts List

lable	Picture	Qty
A		1
B		2
C-L	 <span style="margin-left: 20px;">(Left)</span>	1
C-R	 <span style="margin-left: 20px;">(Right)</span>	1

# Hardware List

lable	Picture	Description	Size	Qty
H-1		Bolt	M6x15 mm	6
H-2		Bolt	M6x30 mm	6

# Tool List

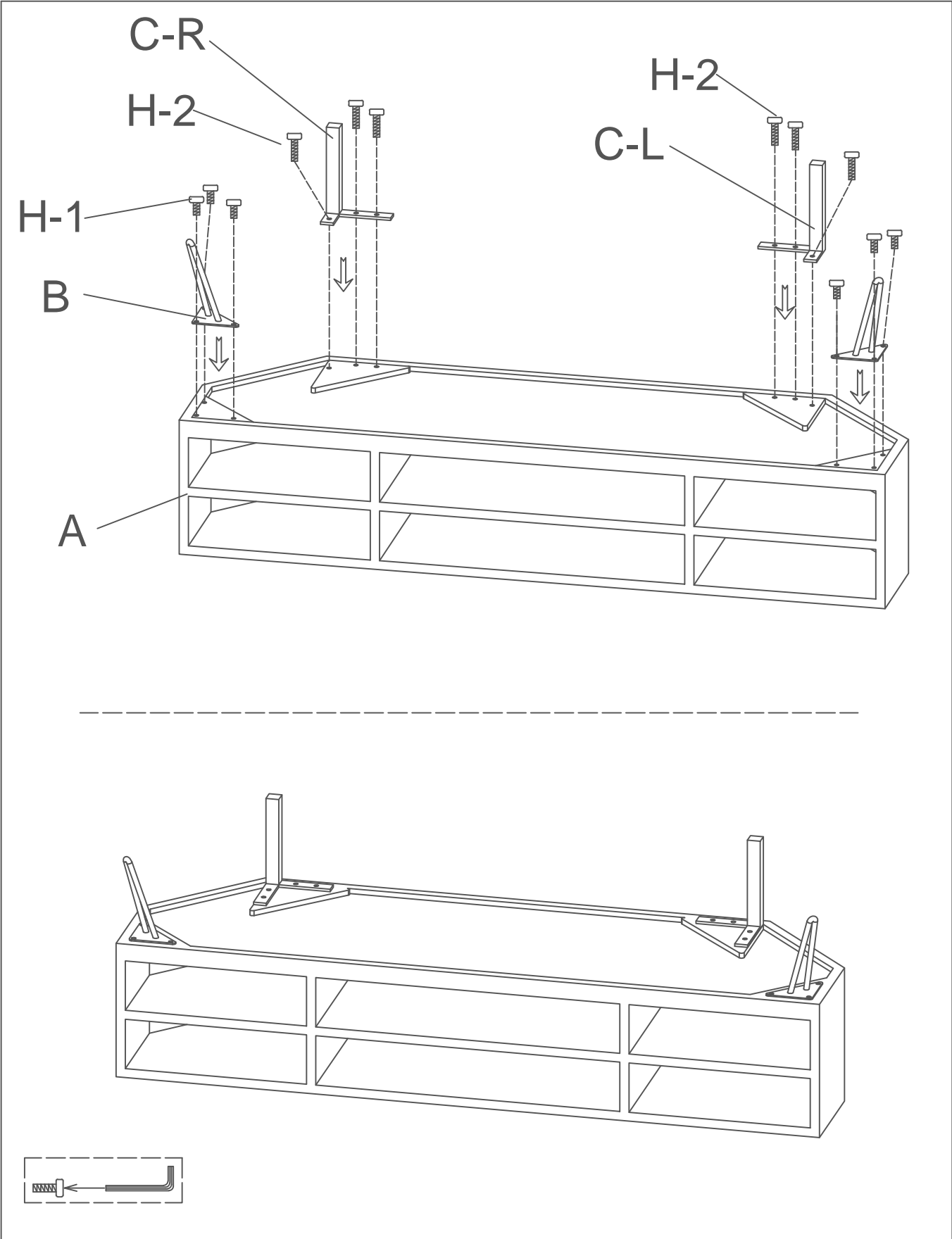
lable	Picture	Description	Size	Qty
T-1		Allen Key	φ4 mm	1

# Assembly Steps

ATTENTION:

DO NOT COMPLETELY TIGHTEN ANY SCREWS UNTIL ALL PARTS ARE IN PLACE

## Step 1



Step 2

